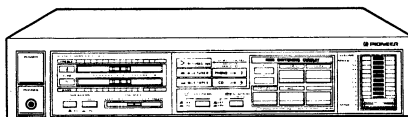


 **PIONEER®**

# Service Manual

**CIRCUIT DESCRIPTIONS  
REPAIR & ADJUSTMENTS**



**ORDER NO.  
ARP1109-0**

**STEREO AMPLIFIER**

# SA-970(BK)

## SA-970

**MODEL SA-970 [BK] COMES IN SEVEN VERSIONS DISTINGUISHED AS FOLLOWS:**

Type	Applicable model		Power requirement	Destination
	SA-970 (BK)	SA-970		
HE	○	○	AC220V, 240V (switchable) *	European continent
HB	○	○	AC220V, 240V (switchable) *	United Kingdom
HEZ	○	○	AC220V, 240V (switchable) *	West Germany
S	○	—	AC110V, 120V, 220V, 240V (switchable)	General market
S/G	○	—	AC110V, 120V, 220V, 240V (switchable)	U.S. Military
YP	○	—	AC240V only	Australia
KC	○	—	AC120V only	Canada

\*Change the primary wiring of the power transformer.

- This service manual is applicable to the HE type.
- As to the other types, please refer to additional service manual.

**PIONEER ELECTRONIC CORPORATION** 4-1, Meguro 1-Chome, Meguro-ku, Tokyo 153, Japan  
**PIONEER ELECTRONICS SERVICE INC.** P.O. Box 1760, Long Beach, California 90801 U.S.A.  
TEL: (213) 420-5700  
**PIONEER ELECTRONIC (EUROPE) N.V.** Keetberglaan 1, 2740 Beveren, Belgium TEL: 03/775-28-08  
**PIONEER ELECTRONICS AUSTRALIA PTY. LTD.** 178-184 Boundary Road, Braeside, Victoria 3195, Australia  
TEL: (03) 580-9911

## **CONTENTS**

1. SPECIFICATIONS .....	3	6. P.C. BOARDS CONNECTION DIAGRAM .....	11
2. FRONT PANEL FACILITIES .....	4	7. SCHEMATIC DIAGRAM .....	15
3. PARTS LOCATION .....	6	8. BLOCK DIAGRAM .....	19
4. PACKING .....	7	9. ELECTRICAL PARTS LIST .....	21
5. EXPLODED VIEW AND PARTS LIST .....	8		



# 1. SPECIFICATIONS

## Amplifier Section

Continuous average power output is 70 watts\* per channel, min., at 8 ohms from 20 Hertz to 20,000 Hertz with no more than 0.08% total harmonic distortion.

Continuous Power Output (both channels driven)	
T.H.D. 0.08%, 1 kHz, 8 Ω	82 W per channel
T.H.D. 0.08%, 20 Hz to 20 kHz, 8 Ω	70 W per channel
DIN, Continuous Power Output at 1 kHz (both channels driven)	
T.H.D. 1%, 1 kHz, 8 Ω	87 W per channel
Input (Sensitivity/Impedance)	
PHONO	2.5 mV/50 kΩ
TUNER, CD, TAPE PLAY	
ADAPTOR IN, VIDEO/AUX	150 mV/50 kΩ
Phono Overload Level (T.H.D. 0.01%, 1 kHz)	
	150 mV
Output (Level/Impedance)	
TAPE REC, ADAPTOR OUT	150 mV/2.2 kΩ
Headphone	67 mV/8 Ω
Frequency Response	
PHONO (RIAA Equalization)	
	20 Hz to 20 kHz ±0.3 dB
TUNER, CD, ADAPTOR IN, TAPE PLAY,	
VIDEO/AUX	10 Hz to 70 kHz ±½ dB
Tone Control	
BASS	±10 dB (100 Hz)
TREBLE	±10 dB (10 kHz)
Loudness Contour (Volume control set at -40 dB position)	
100 Hz	+6 dB
10 kHz	+3 dB
Hum and Noise (IHF, short circuited, A network)	
PHONO	81 dB
CD, ADAPTOR IN, TUNER, VIDEO/AUX,	
TAPE PLAY	102 dB
Hum and Noise (DIN, continuous power / 50 mW)	
PHONO	70 dB/60 dB
CD, ADAPTOR IN, TUNER, VIDEO/AUX,	
TAPE PLAY	88 dB/62 dB
Speaker Load Impedance	
A or B	6 - 16 Ω
A + B	6 - 16 Ω

## Miscellaneous

### Power Requirements

European model	a.c. 220 V ~, 50/60 Hz
U.K., Australian models	a.c. 240 V ~, 50/60 Hz
Canadian models	AC 120V, 60 Hz
Other destination models	~AC 110 V/120 V/ 220 V/240 V (switchable), 50/60 Hz

### Power Consumption

European, U.K., Australian models	510 W
Canadian model	380 VA (CSA)
Other destination models	200 W

Dimensions ..... 420 (W) x 98 (H) x 273 (D) mm  
16-1/2 (W) x 3-7/8 (H) x 10-3/4 (D) in

Weight (without package) ..... 6.6 kg (14 lb 9 oz)

## Furnished Parts

Operating Instructions ..... 1

### NOTE:

- Specifications and design subject to possible modification without notice due to improvements.
- \*Measured pursuant to the Federal Trade Commission's Trade Regulation rule on Power Claims for Amplifier.

## 2. FRONT PANEL FACILITIES

Indications on the actual unit may differ from those in the illustration. However, operating procedures are the same.

### POWER switch

Press to turn power to the unit ON and OFF.

### PHONES jack

When using headphones, insert their plug into this jack.

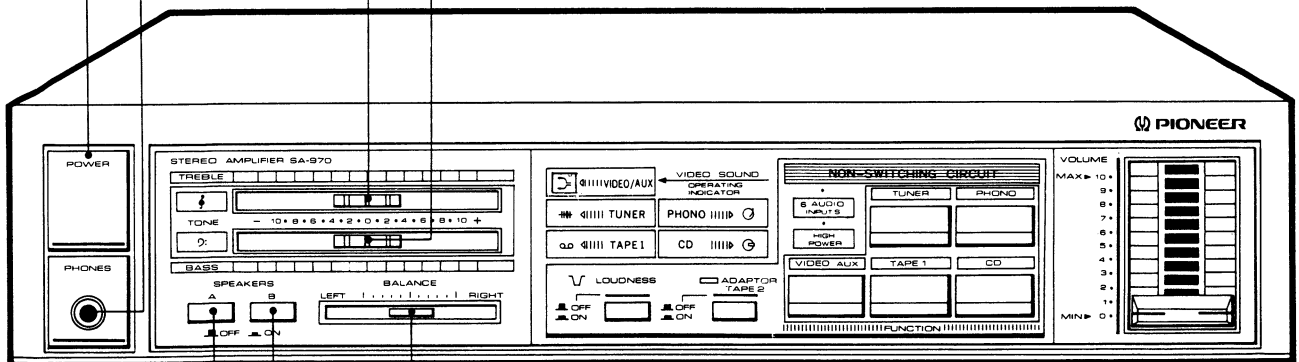
### TREBLE tone control

Use to adjust the high-frequency tone.

The central "0" position is the flat (normal) position. When moved to the right, high-frequency tones are emphasized; when moved to the left, high-frequency tones are de-emphasized.

### BASS tone control

Use to adjust the low-frequency tone. The central "0" position is the flat (normal) position. When moved to the right, low-frequency tones are emphasized; when moved to the left, low-frequency tones are de-emphasized.



### SPEAKERS A selector switch

Use this switch to listen to the speaker systems connected to the SPEAKERS A terminals.

[ON] — Depressed position: Sound is heard from speaker systems.

[OFF] — Released position: No sound is heard from speaker systems. Set to this position when listening with headphones.

### BALANCE control

Should normally be left in the center position. Adjust balance if the sound is louder from one of the speakers. If the right side is louder, move toward the LEFT position and if the left side is louder, move toward the RIGHT position.

### SPEAKERS B selector switch

Use this switch to listen to the speaker systems connected to the SPEAKERS B terminals.

[ON] — Depressed position: Sound is heard from the speaker systems.

[OFF] — Released position: No sound is heard from the speaker systems. Set to this position when listening with headphones.

#### NOTE:

When the speaker system is connected to only one speaker terminal (A or B) and both A and B selector switches are ON, there will be no sound. Turn ON only the selector to which the speaker system is connected.



**Indicators**

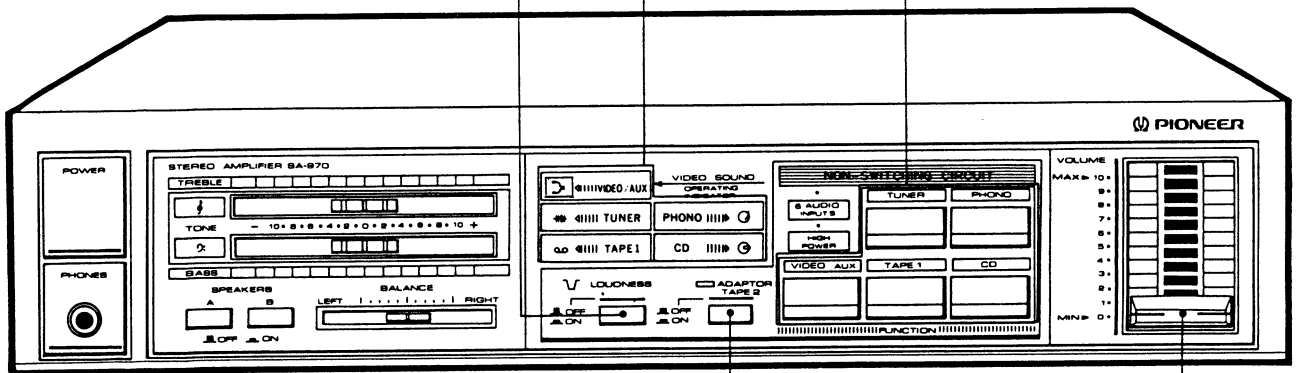
The indicators light to show the positions of the FUNCTION switches.

**LOUDNESS switch**

Use when listening at low volume levels.  
 [OFF] — Released position: Should normally be left in this position.  
 [ON] — Depressed position: Boosts low and high frequencies to give added punch to playback even at low volume.

**FUNCTION switches**

Use to select playback source.  
 [PHONO] — Press when listening to record playback on a turntable.  
 [TUNER] — Press when listening to AM or FM broadcasts with a tuner.  
 [CD] — Press when listening to a compact disc playback with a CD player.  
 [TAPE 1] — Press when listening to tape playback with a tape deck.  
 [VIDEO/AUX] — Press when listening to programs from a component connected to the VIDEO/AUX terminals.  
**NOTE:**  
 Function switches should be pressed firmly; otherwise, all the function indicators will light, and no output will be produced. If this occurs, press the desired function switch again.



**ADAPTOR/TAPE 2 switch/indicator**

Use when there is an adaptor component (graphic equalizer, etc.) or tape deck connected to the ADAPTOR/TAPE 2 terminals.  
 [OFF] — Released position: When not in use.  
 [ON] — Depressed position: When using the adaptor component or listening to the tape deck.  
**NOTE:**  
 When no connections are made to the ADAPTOR/TAPE 2 terminals, or when they are not in use, be sure to set this switch to the OFF position. (No sound will be heard if it is set to the ON position.)

**VOLUME control**

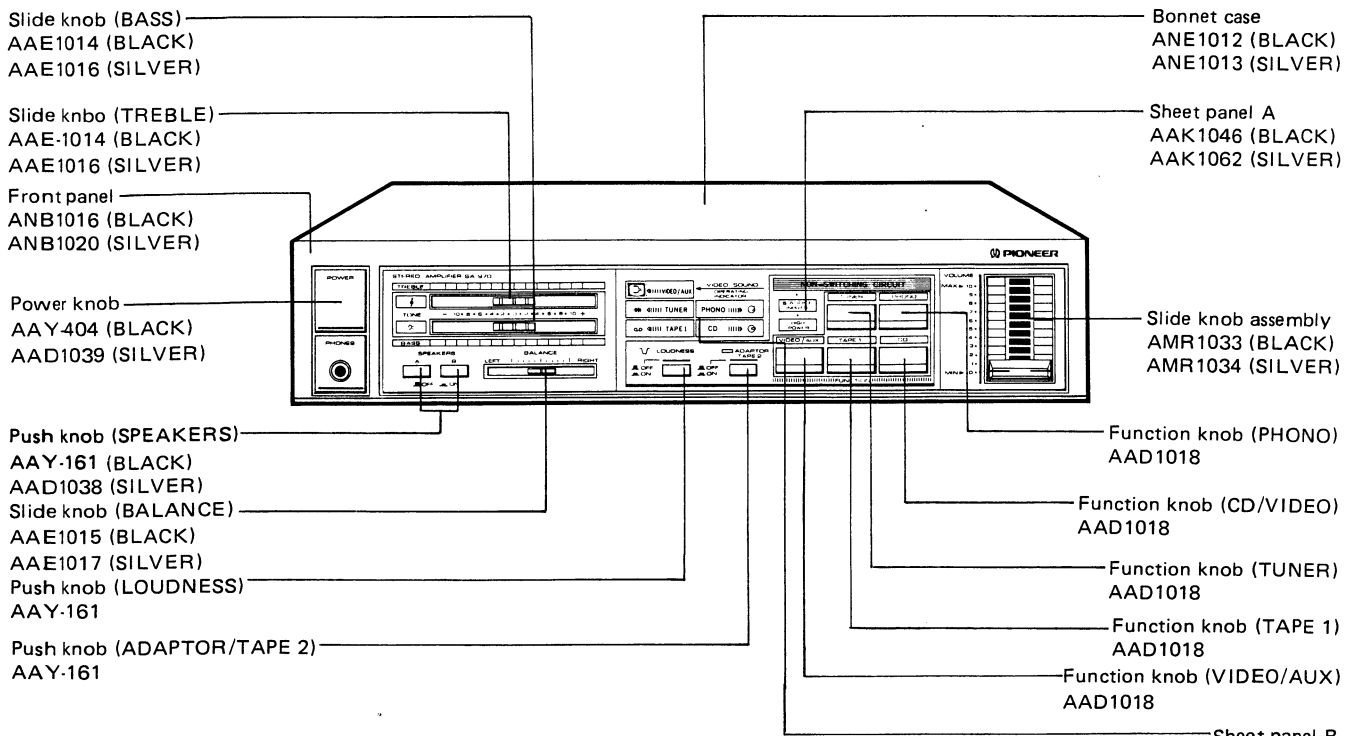
Use to adjust volume level.  
 Move up to increase volume.  
 Move down to lower volume.

### 3. PARTS LOCATION

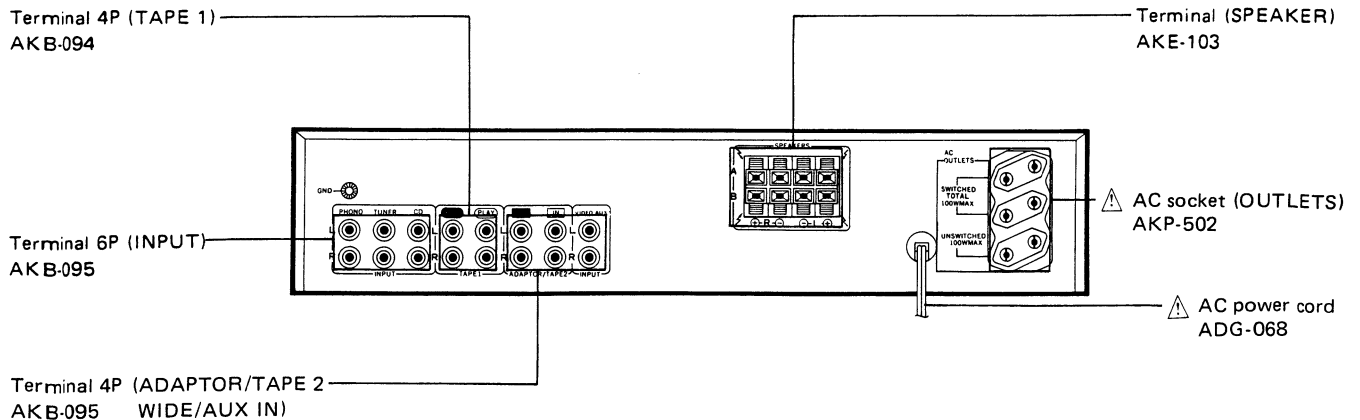
**NOTES:**

- The  $\triangle$  mark found on some component parts indicates the importance of the safety factor of the part. Therefore, when replacing, be sure to use parts of identical designation.
- For your Parts Stock Control, the fast moving items are indicated with the marks **★★** and **★**.  
**★★ GENERALLY MOVES FASTER THAN ★**  
 This classification shall be adjusted by each distributor because it depends on model number, temperature, humidity, etc.
- Parts marked by "  $\odot$  " are not always kept in stock. Their delivery time may be longer than usual or they may be unavailable.

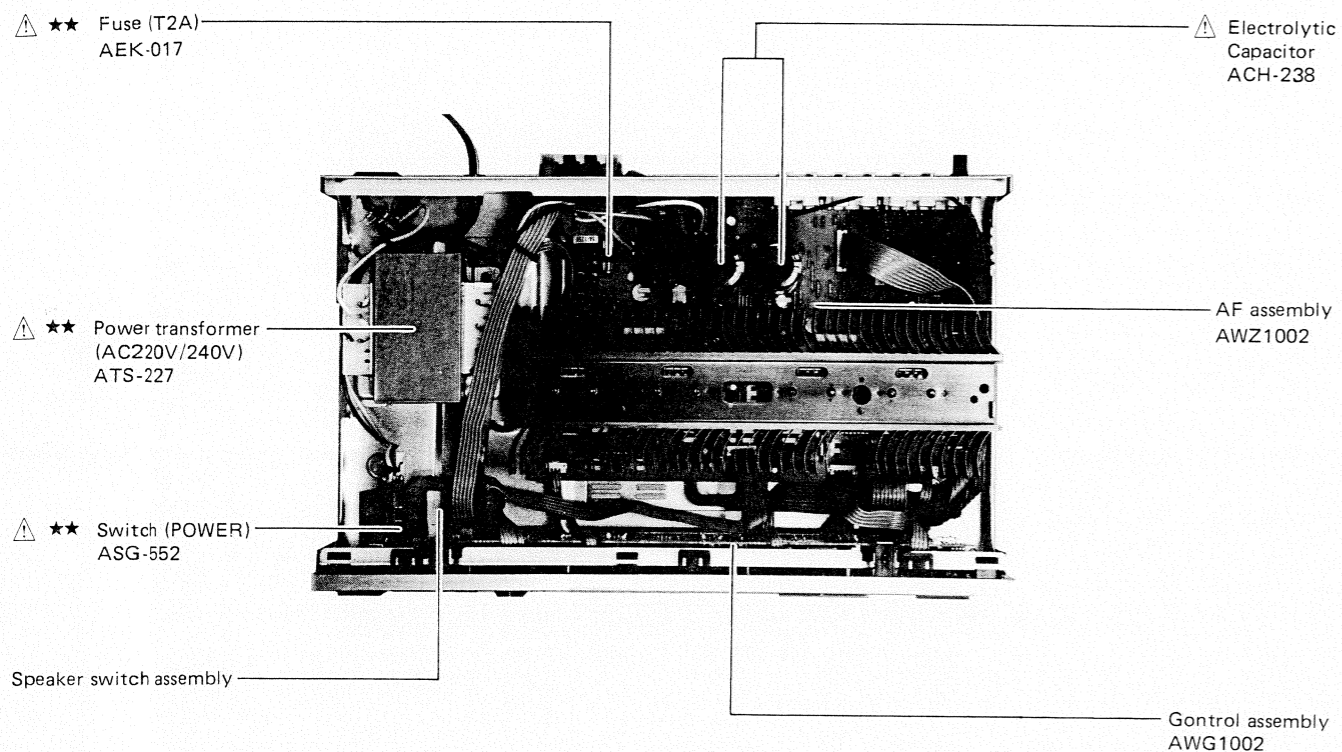
**Front Panel View**



**Rear Panel View**

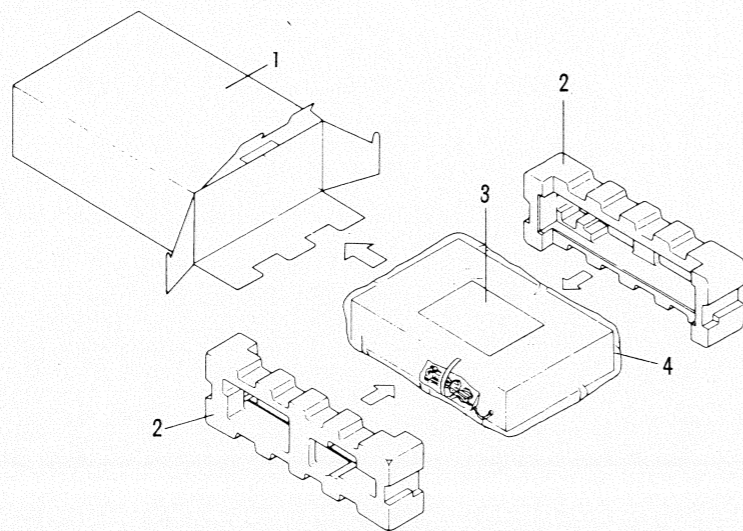


Top View



4. PACKING

Mark	No.	Part No.	Description
	1	AHD1031	Packing case (BLACK)
		AHD1052	Packing case (SILVER)
	2	AHA-340	Front rear pad
	3	ARE1005	Operating instructions (English/German/French/Italian)
	4		Polyethylene sheet



5. EXPLODED VIEWS

NOTES:

- Parts without part number cannot be supplied.
- The  $\triangle$  mark found on some component parts indicates the importance of the safety factor of the part. Therefore, when replacing, be sure to use parts of identical designation.
- For your Parts Stock Control, the fast moving items are indicated with the marks **\*\*** and **\***.
- \*\* GENERALLY MOVES FASTER THAN \***  
This classification shall be adjusted by each distributor because it depends on model number, temperature, humidity, etc.
- Parts marked by "  $\odot$  " are not always kept in stock. Their delivery time may be longer than usual or they may be unavailable.

Parts List

Mark	No.	Part No.	Description	Mark	No.	Part No.	Description	
		1	AWG1002		21	AAK1047	Sheet panel (B)	
		2	AWZ1002		22	AMR1033	Slide knob assembly (BLACK)	
$\triangle$	*	3	ATS-227			AMR1034	Slide knob assembly (SILVER)	
$\triangle$		4	AKP-502		23	ABH-155	Coil spring	
$\triangle$	**	5	AEK-017		24	AEC-471	Nylon rivet	
			FU1 Fuse (2A)		25	AEC-756	Mica sheet	
$\triangle$	**	6	AEK-403		26	ABA-258	Screw	
		7	AEC-784	$\triangle$	27	ADG-068	AC power cord	
		8	AAZ-404		28	BBZ30P080FZK	Screw (3 x 8)	
			Power knob (POWER) (BLACK)		29	PMZ20P030FMC	Screw (2 x 3)	
			Power knob (POWER) (SILVER)		30	VBZ30P060FMC	Screw (3 x 6)	
			Power knob (POWER) (SILVER)		31	VMZ30P060FMC	Screw (3 x 6)	
	9	AAD1018	Function knob	$\triangle$	**	32	2SA1389	Q2, Q4 Power transistor*
	10	.....	.....		33	2SC3546	Q1, Q3 Power transistor*	
	11	.....	.....				*hfe of Q1-Q4 should have the same value.	
	12	AAE1014	Slide knob (BASS, TREBLE) (BLACK)		34	ASG-552	Push switch (POWER)	
			Slide knob (BASS, TREBLE) (SILVER)		35	ACG-502	C1, C2 Ceramic capacitor (0.01/AC400V)	
	13	AAE1015	Slide knob (B)(BALANCE) (BLACK)		101		Base (GND)	
			Slide knob (B)(BALANCE) (SILVER)		102		Mount plate	
			Slide knob (B)(BALANCE) (SILVER)		103		Panel stay	
	14	AAZ-161	Push knob (LOUDNESS, ADAPTOR/TAPE 2)		104		Chassis	
	15	AAZ-161	Push knob (SPEAKERS) (BLACK)		105		Bottom plate	
			Push knob (SPEAKERS) (SILVER)		106		Frame	
	16	.....	.....		107		P.C.B. holder	
	17	ANE1012	Bonnet case (BLACK)		108		Heat sink	
		ANE1013	Bonnet case (SILVER)		109		Rear panel	
	18	ANB1016	Front panel (BLACK)		110		Speaker terminal assembly	
		ANB1020	Front panel (SILVER)		111		Guide shaft	
	19	AMB1029	Panel base (BLACK)		112		E-ring	
		AMB1045	Panel base (SILVER)		113		Slider	
	20	AAK1046	Sheet panel (A)(BLACK)		114		Slide knob L	
		AAK1062	Sheet panel (A)(SILVER)		115		Blind sheet	
					116		Terminal (GND)	
					117		Speaker switch assembly	
					118		Cushion rubber	
					119		Cushion rubber A	

1

2

3

4

5

Importance of the parts of identical parts depends on time may be

(B) assembly (BLACK) assembly (SILVER)

word (B) (3) (6) (6) power transistor\* power transistor\* value. (POWER) ceramic capacitor (01/AC400V)

terminal assembly

(GND) switch assembly rubber rubber A

A

B

C

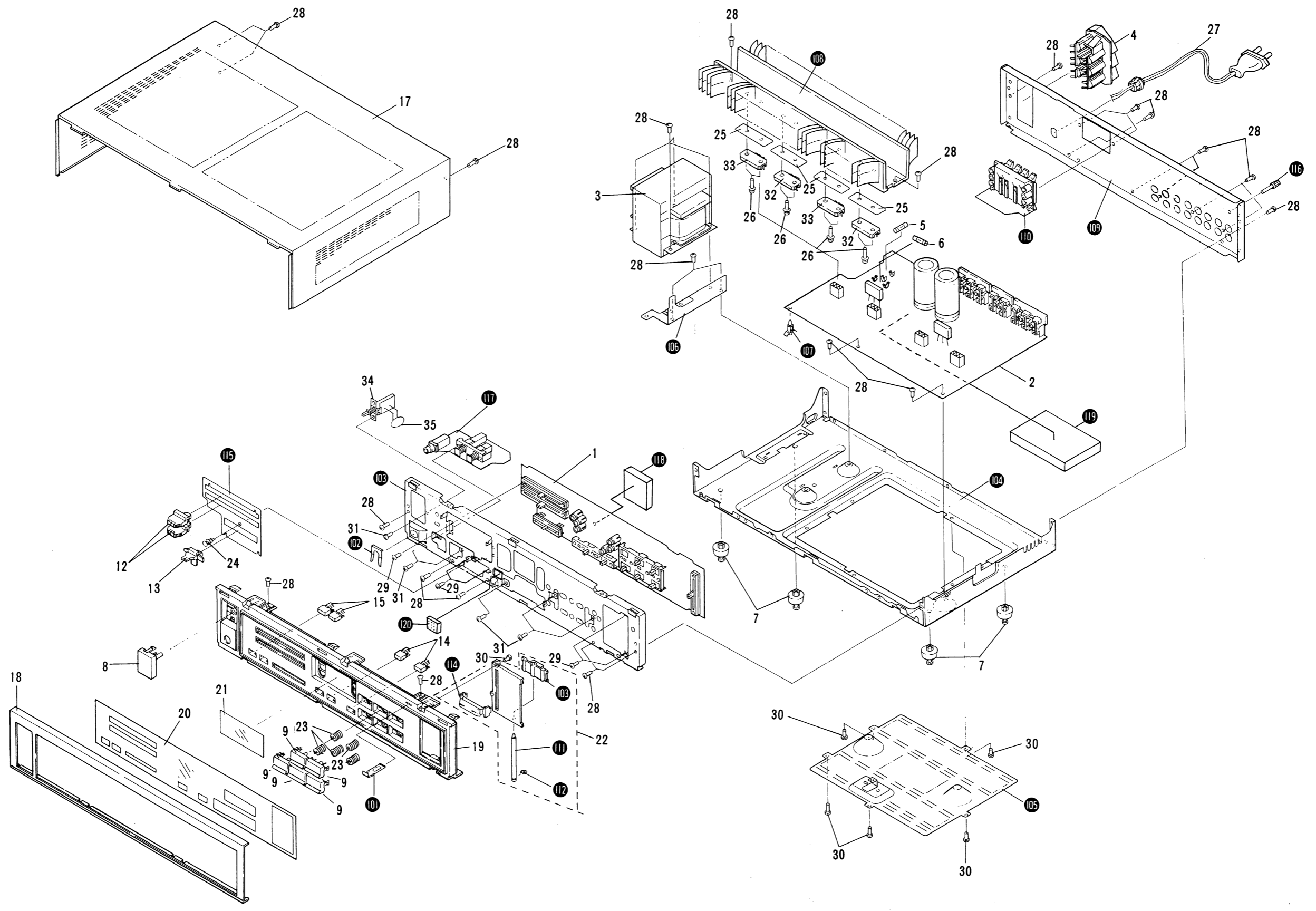
D

A

B

C

D



1

2

3

4

5

6

A

A



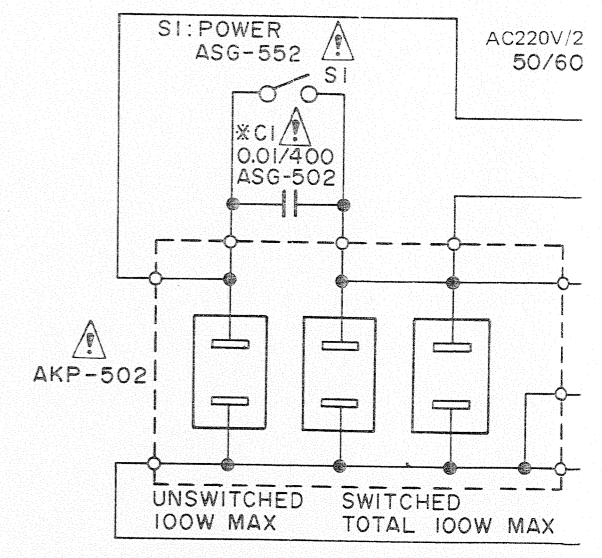
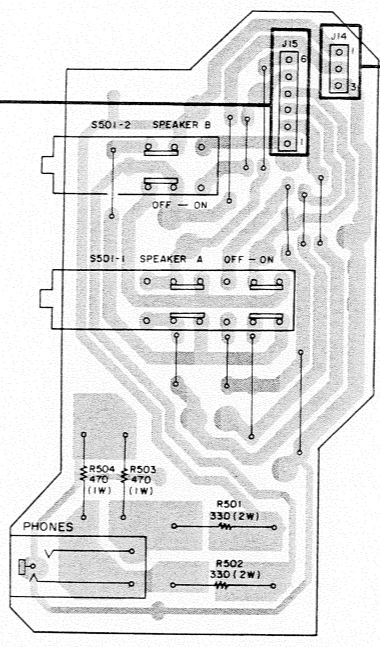
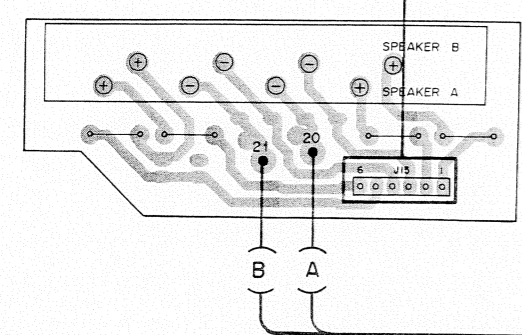
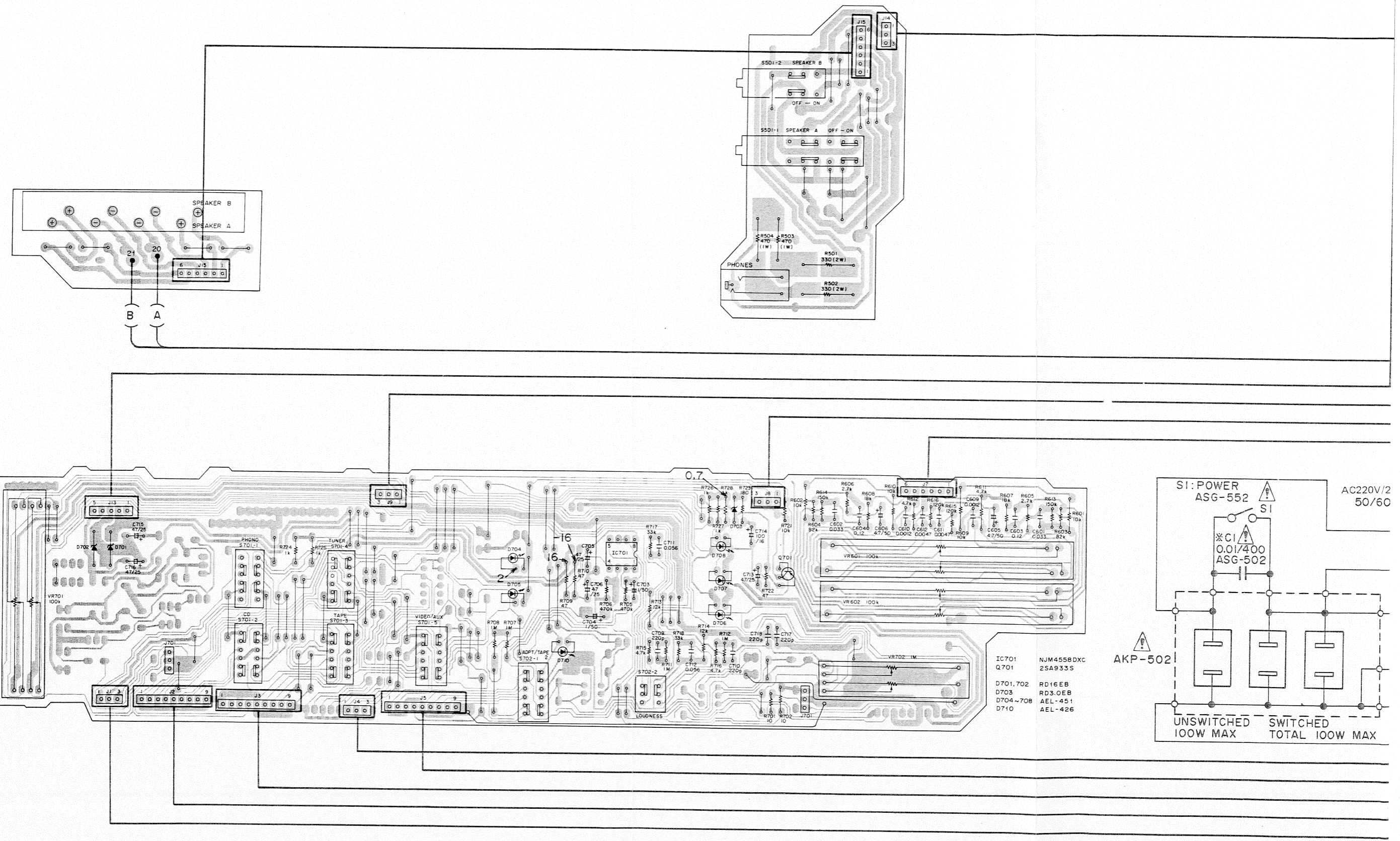
# 6. P.C. BOARDS CONNECTION DIAGRAM

A

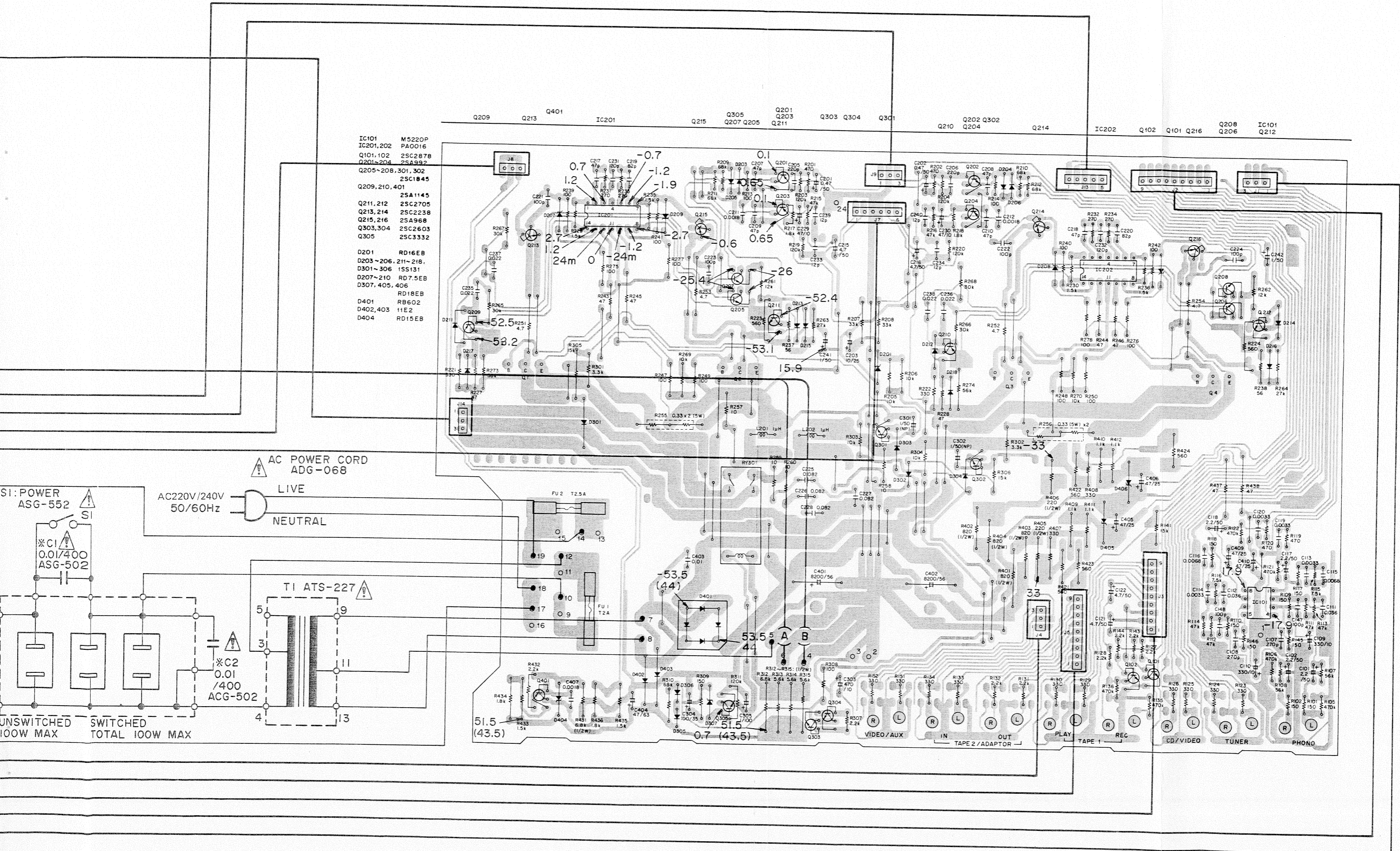
B

C

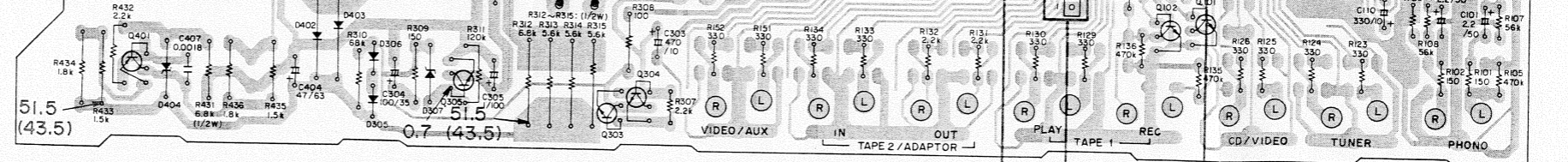
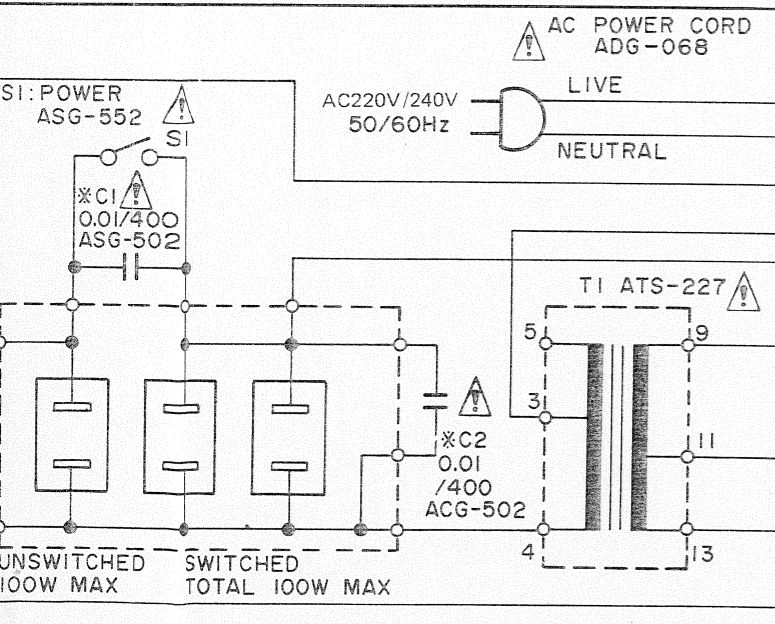
D







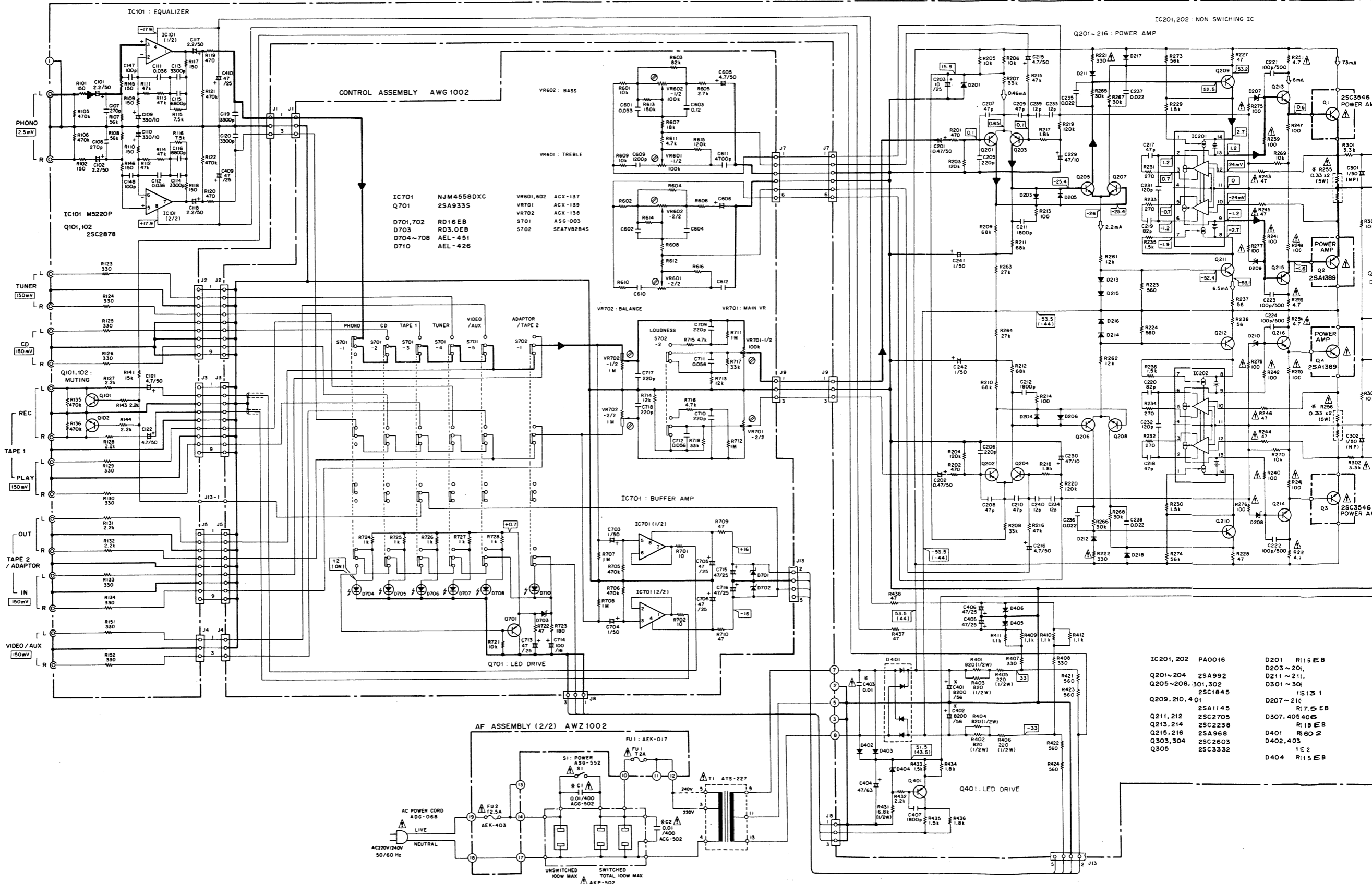
- IC101 M5220P
- IC201,202 PA0016
- Q101,102 2SC2878
- Q201~204 2SA992
- Q205~208,301,302 2SC1845
- Q209,210,401 2SA1145
- Q211,212 2SC2705
- Q213,214 2SC2238
- Q215,216 2SA968
- Q303,304 2SC2603
- Q305 2SC3332
- D201 RD16EB
- D203~206,211~218, D301~306 1S5131
- D207~210 RD7.5EB
- D307,405,406 RD18EB
- D401 RB602
- D402,403 11E2
- D404 RD15EB



# 7. SCHEMATIC DIAGRAM

SA-970 (BK) / HE

AF ASSEMBLY (1/2) AWZ 1002



A

B

C

D

1

2

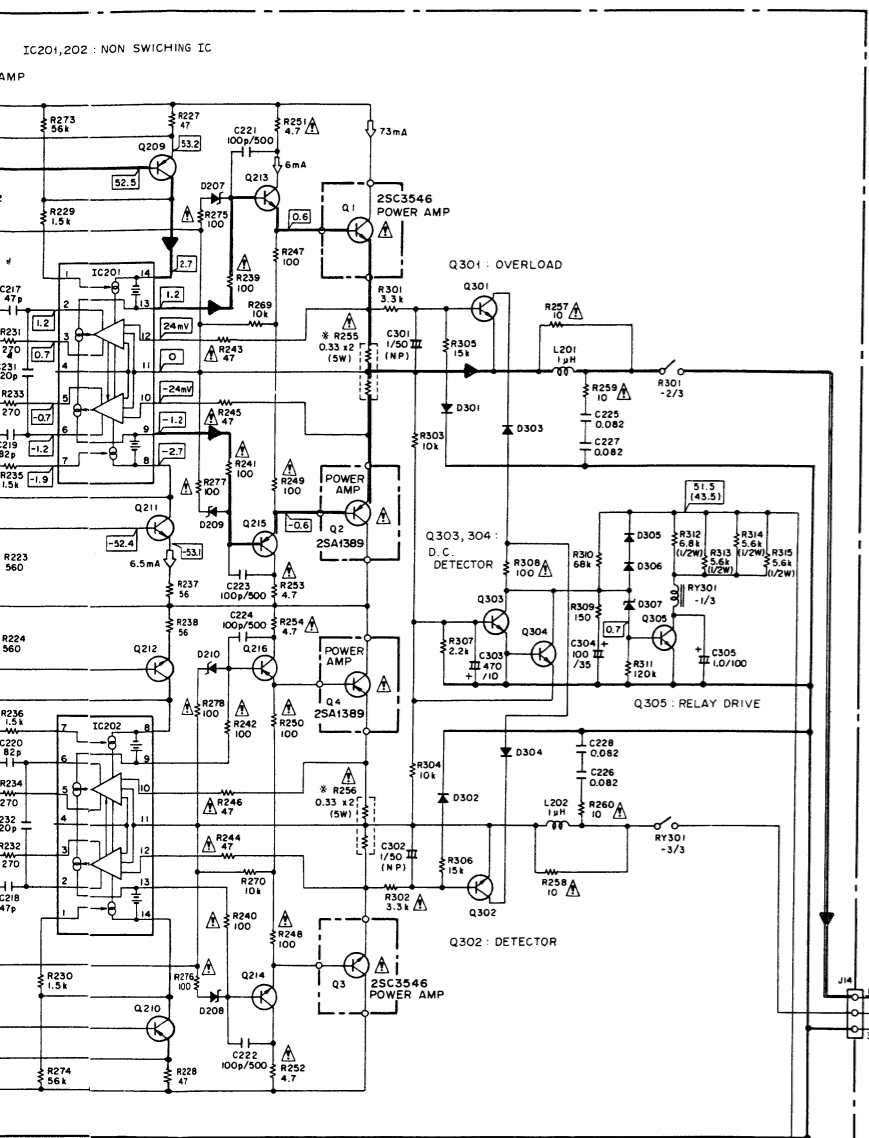
3

4

5

6

7



**1. RESISTORS:**  
Indicated in Ω, kΩ, MΩ, %W, ±5% tolerance unless otherwise noted k: kΩ, M: MΩ, (F): ±1%, (G): ±2%, (K): ±10% (M): ±20% tolerance

**2. CAPACITORS:**  
Indicated in capacity (μF)/voltage (V) unless otherwise noted p: pF  
Indication without voltage is 50V except electrolytic capacitor.

**3. VOLTAGE, CURRENT:**  
Signal voltage at ( W + W B<sub>i</sub> ) output (1kHz)  
DC voltage (V) at no input signal  
Value in ( ) is DC voltage at rated power.  
mA: DC current at no input signal

**4. OTHERS:**  
Signal route  
Adjusting point  
The mark found on some component parts indicates the importance of the safety factor of the part. Therefore, when replacing, be sure to use parts of identical designation.  
marked capacitors and resistors have parts numbers.

This is the basic schematic diagram, but the actual circuit may vary due to improvements in design.

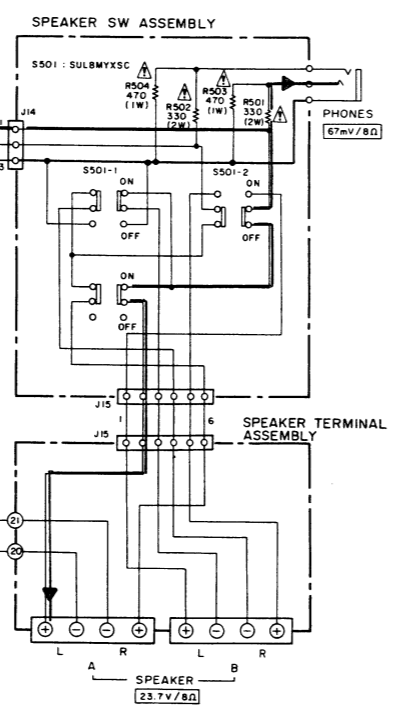
**SWITCHES:**

**SPEAKER SW ASSEMBLY**  
S501-1 : SPEAKER A ON - OFF  
S501-2 : SPEAKER B ON - OFF

**CONTROL ASSEMBLY**  
S701-1 : FUNCTION PHONO  
S701-2 : FUNCTION CD  
S701-3 : FUNCTION TAPE 1  
S701-4 : FUNCTION TUNER  
S701-5 : FUNCTION VIDEO/AUX  
S702-1 : ADAPTOR / TAPE 2  
S702-2 : LOUDNESS

**OTHER**  
S1 : POWER ON - OFF

The underlined indicates the switch position.



IC201, 202	PA0016	D201	RD16EB	R255, 256	ACN-139
Q201~204	2SA992	D203~206,		C401, 402	ACH-238
Q205~208, 301, 302	2SA1389	D211~218,		C403	ACG-190
Q209, 210, 401	2SC1845	D301~306		L201, 202	ATH-090
Q211, 212	2SA1145		1SS131	RY301	ASR-112
Q213, 214	2SC2705	D207~210			
Q215, 216	2SC2238		RD7, 5EB		
Q303, 304	2SA968	D307, 405, 406			
Q305	2SC2603		RD18EB		
	2SC3332	D401	RB602		
		D402, 403			
			11E2		
		D404	RD15EB		

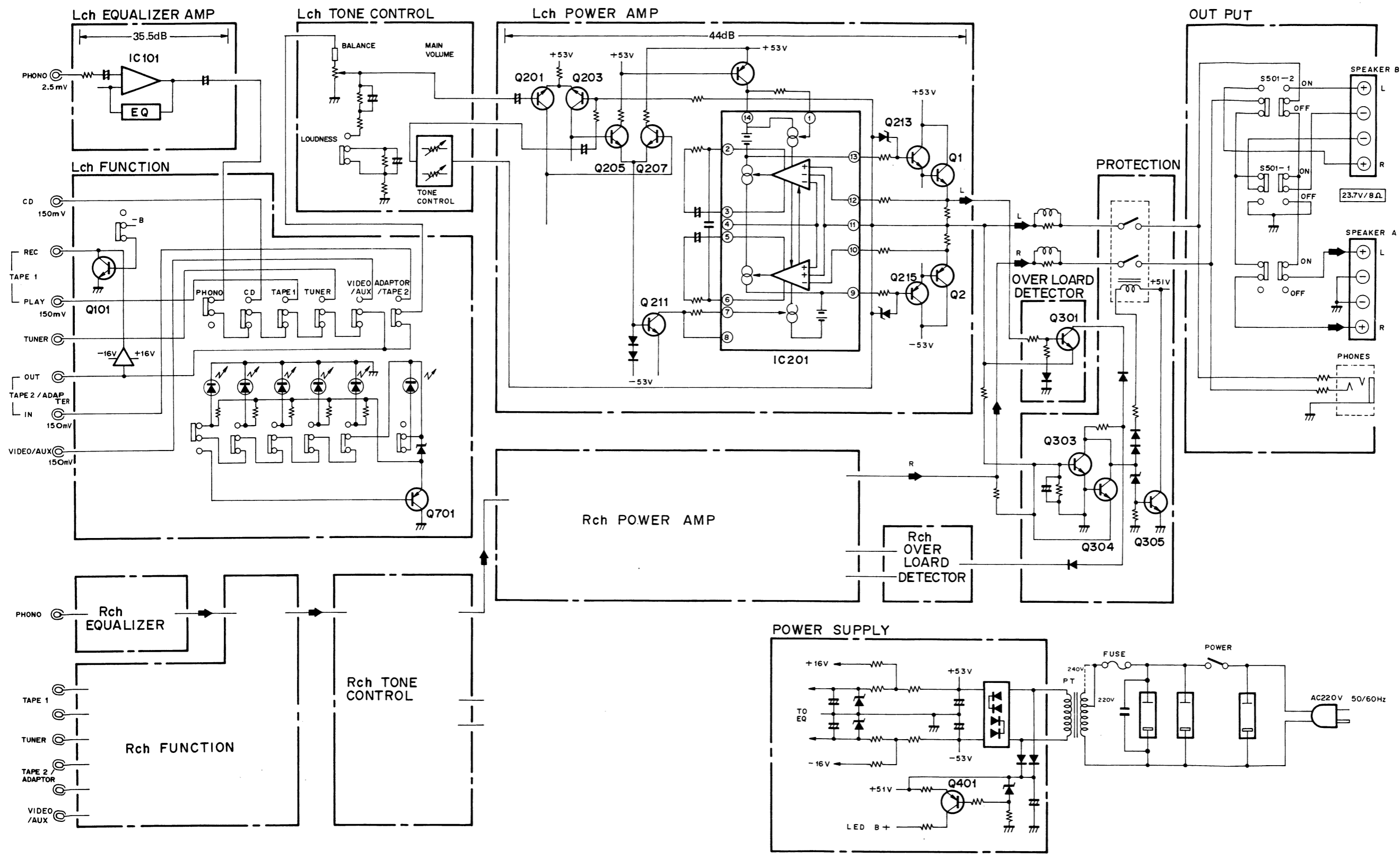
**NOTE:**  
The indicated semiconductors are representative ones only. Other alternative semiconductors may be used and are listed in the parts list.

**External Appearances of Transistor and ICs**

<p>2SA1389 (A) 2SC3546 (A)</p>	<p>2SC3332</p>	A
<p>2SA992 2SC1845</p>	<p>PA0016</p>	—
<p>2SA1145 2SC2705 2SC2878</p>	<p>NJM2043DD NMJ4558DXC M5220P</p>	B
<p>2SC2238 2SA968</p>	<p>2SC2240</p>	—
<p>2SC2603</p>	<p>2SC2389</p>	C
<p>2SC1740S 2SA933S</p>	<p>2SC2458 2SA1048</p>	D



### 8. BLOCK DIAGRAM



### 9. ELECTRICAL

- NOTES:**
- When ordering resistors:  
 Ex. 1 When there is a triangle symbol shown by J: 560Ω, 47kΩ, 0.5Ω, 1Ω  
 Ex. 2 When there is a double star symbol: 5.62kΩ
  - The triangle mark found on components therefore, when replacing parts, use the same classification as the original parts, humidity, etc.
  - Parts marked by a double star symbol are generally not available.

#### Miscellaneous Parts List

#### P.C. BOARD ASSEMBLY

Mark	Symbol & Description
△	AF assembly
△	Control assembly
△	Speaker switch assembly
△	Speaker terminal

#### SEMICONDUCTORS

Mark	Symbol & Description
△★★	Q2, Q4
△★★	Q1, Q3
	*hfc of Q1-Q4

#### OTHERS

Mark	Symbol & Description
△★★	C1, C2 Ceramic (0.01/AC)
△★	T1 Power transformer (AC220V)
△★	AC Socket
△★	FU1 Fuse (T2)
△★	FU2 Fuse (T2)
△★★	AC Power
△★★	S1 Switch (F)

#### AF Assembly (AWZ)

#### SEMICONDUCTORS

Mark	Symbol & Description
★★	IC101
★★	IC201, IC202
★★	Q209, Q210, Q41
★★	Q25, Q216
★★	Q21 - Q204

# 9. ELECTRICAL PARTS LIST

## NOTES:

- When ordering resistors, first convert resistance values into code form as shown in the following examples.  
**Ex. 1** When there are 2 effective digits (any digit apart from 0), such as 560 ohm and 47k ohm (tolerance is shown by J=5%, and K=10%).  
 560Ω      56 × 10<sup>1</sup>      561 ..... RD4PS 5 6 1 J  
 47kΩ      47 × 10<sup>3</sup>      473 ..... RD4PS 4 7 3 J  
 0.5Ω      0R5 ..... RN2H 0 5 K  
 1Ω      010 ..... RS1P 0 1 0 K
- Ex. 2** When there are 3 effective digits (such as in high precision metal film resistors).  
 5.62kΩ      562 × 10<sup>1</sup>      5621 ..... RN4SR 5 6 2 1 F
- The  $\Delta$  mark found on some component parts indicates the importance of the safety factor of the part. Therefore, when replacing, be sure to use parts of identical designation.
- For your Parts Stock Control, the fast moving items are indicated with the marks **\*\*** and **\***.  
**\*\* GENERALLY MOVES FASTER THAN \***  
 This classification shall be adjusted by each distributor because it depends on model number, temperature, humidity, etc.
- Parts marked by "  $\odot$  " are not always kept in stock. Their delivery time may be longer than usual or they may be unavailable.

## Miscellaneous Parts List

### P.C. BOARD ASSEMBLIES

Mark	Symbol & Description	Part No.
	AF assembly	AWZ1002
	Control assembly	AWG1002
	Speaker switch assembly	non supply
	Speaker terminal assembly	non supply

### SEMICONDUCTORS

Mark	Symbol & Description	Part No.
$\Delta$ **	Q2, Q4	2SA1389(A)-O/R*
$\Delta$ **	Q1, Q3	2SC3546(A)-O/R*

\*hfe of Q1-Q4 should have the same value.

### OTHERS

Mark	Symbol & Description	Part No.
$\Delta$ **	C1, C2 Ceramic capacitor (0.01/AC400V)	ACG-502
$\Delta$ *	T1 Power transformer (AC220V/240V)	ATS-227
$\Delta$ *	AC Socket (OUTLETS)	AKP-502
$\Delta$ *	FU1 Fuse (T2A)	AEK-017
$\Delta$ *	FU2 Fuse (T2.5A)	AEK-403
$\Delta$ *	AC Power cord	ADG-068
$\Delta$ **	S1 Switch (POWER)	ASG-552

### AF Assembly (AWZ1002)

### SEMICONDUCTORS

Mark	Symbol & Description	Part No.
**	IC101	M5220P (NJM2043DD)
**	IC201, IC202	PA0016
**	Q209, Q210, Q401	2SA1145
**	Q215, Q216	2SA968
**	Q201 - Q204	2SA992

Mark	Symbol & Description	Part No.
**	Q205 - Q208, Q301, Q302	2SC1845 (2SC2240) (2SC2389)
**	Q213, Q214	2SC2238
**	Q303, Q304	2SC2603 (2SC1740S) (2SC2458)
**	Q211, Q212	2SC2705
**	Q101, Q102	2SC2878
**	Q305	2SC3332
*	D401	RB602
*	D404	RD15EB (HZ15EB)
*	D201	RD16EB (HZ16EB)
*	D307, D405, D406	RD18EB (HZ18EB)
*	D207 - D210	RD7.5EB (HZ7.5EB)
*	D203-D206, D211-D218, D301-D306	1SS131
*	D402, D403	11E2 (S5566)

### CAPACITORS

Mark	Symbol & Description	Part No.
$\Delta$	C403 Ceramic capacitor	ACG-019
	C401, C402 Electric (8200/56V)	ACH-238
	C147, C148	CCCSL101J50 (CCDSL101J50)
	C221 - C224	CCCSL101K500 (CCDSL101K500)
	C233, C234, C239, C240	CCCSL120J50 (CCDSL120J50)

Mark	Symbol & Description	Part No.
	C231, C232	CCCSL121J50 (CCDSL121J50)
	C205, C206	CCCSL221J50 (CCDSL221J50)
	C107, C108	CCCSL271J50 (CCDSL271J50)
	C207 - C210, C217, C218	CCCSL470J50 (CCDSL470J50)
	C219, C220	CCCSL820J50 (CCDSL820J50)
	C101, C102	CEANL2R2M50
	C301, C302	CEANP010M50
	C201, C202	CEASR47M50
	C305	CEAS010M100
	C241, C242	CEAS010M50
	C203	CEAS100M25
	C304	CEAS101M35
	C117, C118	CEAS2R2M50
	C109, C110	CEAS331M10
	C121, C122, C215, C216	CEAS4R7M50
	C229, C230	CEAS470M10
	C405, C406, C409, C410	CEAS470M25
	C404	CEAS470M63
	C303	CEAS471M10
	C211, C212, C407	CKCYB182K50 (CKDYB182K50)
	C235 - C238	CKCYF223Z50 (CKDYF223Z50)
	C113, C114, C119, C120	CQMA332J50
	C111, C112	CQMA363J50
	C115, C116	CQMA682J50
	C225 - C228	CQMA823K50 (CQMA823J50)

### RESISTORS

Note: When ordering resistors, convert the resistance value into code form, and then rewrite the part no. as before.

Mark	Symbol & Description	Part No.
$\Delta$	R255, R256 (0.33Ω x 2)(5W)	ACN-139
$\Delta$	R312 - R315, R401 - R406, R431	RD1/2PM □□□J
$\Delta$	R257 - R260, R301, R302	RD1/4PMFL □□□J
$\Delta$	R221, R222, R239-R254, R275-R278, R308	RFA1/4PS □□□J
$\Delta$	R101, R102, R105-R136, R141, R143-R146, R151, R152, R201-R204, R209-R216, R219, R220, R223, R224, R227-R238, R307, R310, R311, R437, R438	RD1/8PM □□□J
	Other resistors	RD1/4PM □□□J

### OTHERS

Mark	Symbol & Description	Part No.
	L201, L202 Inductor (1μH)	ATH-090
**	RY301 Relay	ASR-112 (ASR-107)
	Terminal (4P) (TAPE1)	AKB-094
	Terminal (6P) (INPUT, TAPE2, VIDEO/AUX)	AKB-095
	Transistor socket	AKH-017

### Speaker Switch Assembly

### RESISTORS

Mark	Symbol & Description	Part No.
$\Delta$	R503, R504	RS1PMF471J (RS1LMF471J)
$\Delta$	R501, R502	RS2LMF331J

### SWITCH

Mark	Symbol & Description	Part No.
**	S501 Push switch (SPEAKER)	SUL8MYXSC

### OTHERS

Mark	Symbol & Description	Part No.
	Jack (PHONES)(8P)	AKN-045

### Speaker Terminal Assembly

### OTHERS

Mark	Symbol & Description	Part No.
	Terminal (SPEAKER)	AKE-103

### Control Assembly (AWG1002)

### SEMICONDUCTORS

Mark	Symbol & Description	Part No.
**	IC701	NJM4558DXC
**	Q701	2SA933S (2SA1048)
*	D704-D708	AEL-451
*	D710	AEL-426
*	D701, D702	RD16EB (HZ16EB)
*	D703	RD3.0EB (HZ3.0EB)

**CAPACITORS**

Mark	Symbol & Description	Part No.
	C709, C710, C717, C718	CCCSL221J50 (CCDSL221J50)
	C703, C704	CEAS010M50
	C714	CEAS101M16
	C605, C606	CEAS4R7M50
	C705, C706, C713, C715, C716	CEAS470M25
	C609, C610	CQMA122K50
	C603, C604	CQMA124K50
	C601, C602	CQMA333K50
	C611, C612	CQMA472K50
	C711, C712	CQMA563K50

**RESISTORS**

*Note: When ordering resistors, convert the resistance value into code form, and then rewrite the part no. as before.*

Mark	Symbol & Description	Part No.
★	VR601, VR602 (TREBLE, BASS)	ACX-137
★	VR702 (BALANCE)	ACX-138
★	VR701 (MAIN)	ACX-139
	R601, R602, R609, R610, R709, R710	RD1/4PM □□□J
	Other resistors	RD1/8PM □□□J

**SWITCHES**

Mark	Symbol & Description	Part No.
★★	S701 Push switch (FUNCTION)	ASG1003
★★	S702 Push switch (ADAPTOR/ TAPE2 LOUDNESS)	SEA7VB2B4S